

## Specifications Elan 30R

### Elan Heated Towel Ladder

**Model:** 30R - Round

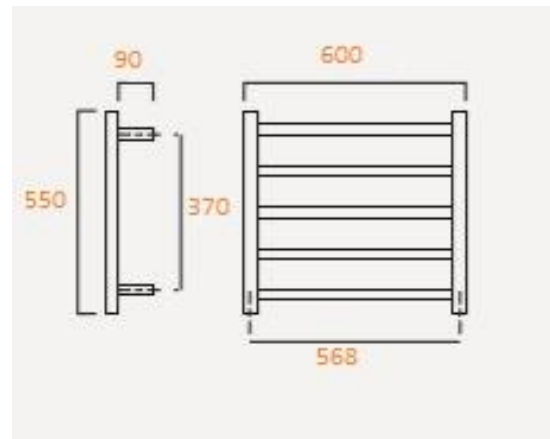
**Code:** ELA-7A02 (dual wiring)

### Measurements

600W x 550H x 90Dmm

Width Centres 568mm

Vertical Centres 370mm



### Features

5 Rails

High Mirror Polish

Quality Stainless Steel

Dual Wiring

Concealed or Exposed Wiring

### Electrical Specifications

230-240v Volts ac, 50Hz

55 Watts

IP Rating 55

Complies to Standards  
AS/NZS 60335.1.2012