

## Specifications Elan 60S

### **Elan Heated Towel Ladder**

**Model:** 60S - Square

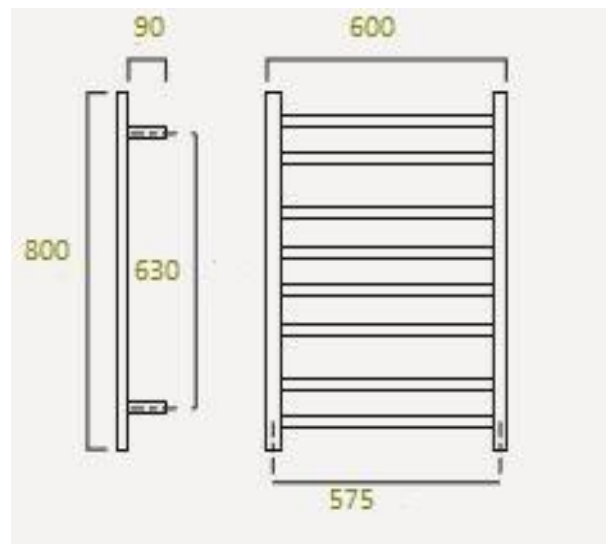
**Code:** ELA-8A08 (dual wiring)

### **Measurements**

800H x 600W x 90Dmm

Width Centres 575mm

Vertical Centres 630mm



### **Features**

8 Rails

High Mirror Polish

Quality Stainless Steel

Dual Wiring

Concealed or Exposed Wiring

### **Electrical Specifications**

230-240v Volts ac, 50Hz

85 Watts

IP Rating 55

Complies to Standards

AS/NZS 60335.1.2012