

## Specifications Safety L Grab Bars

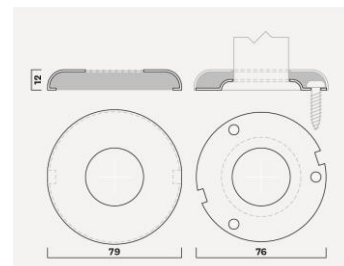
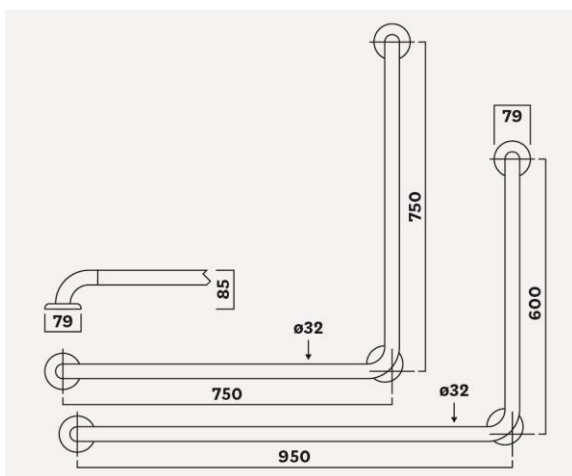


### Features

Material:	304 Stainless Steel
Finish:	Satin or Satin Embossed
	Stainless Steel Screws
	Stainless Flange
	Universal Left or Right
	NZS 4121-2001
	AS 1428.1-2009

### Safety Grab Bars

Code:	COM-9W05 750 x 750 Satin
	COM-9W06 750 x 750 Satin Embossed
	COM-9X01 950 x 600 Satin Left Only
	COM-9X03 950 x 600 Satin Right Only



**7 Year Warranty on Manufacturing or Material Faults** – Domestic installations only  
Alexander Mfg reserves the right to change specifications without prior notice